

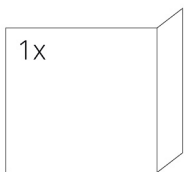
SPECIFICATIONS

Rated thermal input	7 kW
Efficiency	82 %
Smoke flue diameter	150 mm
Min. thrust (under pressure) for rated thermal input	12 Pa
Fuel gas temperature	232 °C
Volume of fuel gas	6,5 g/s
CO emissions in fuel gas (at 13 % O ₂)	0,0811 %
Dust in the fuel gas (at 13 % O ₂)	18 mg/Nm ³
Volume of fuel per hour	2,47 kg/h
Fuel	wood (beech logs)
Weight	213 kg



LIST OF SPARE PARTS

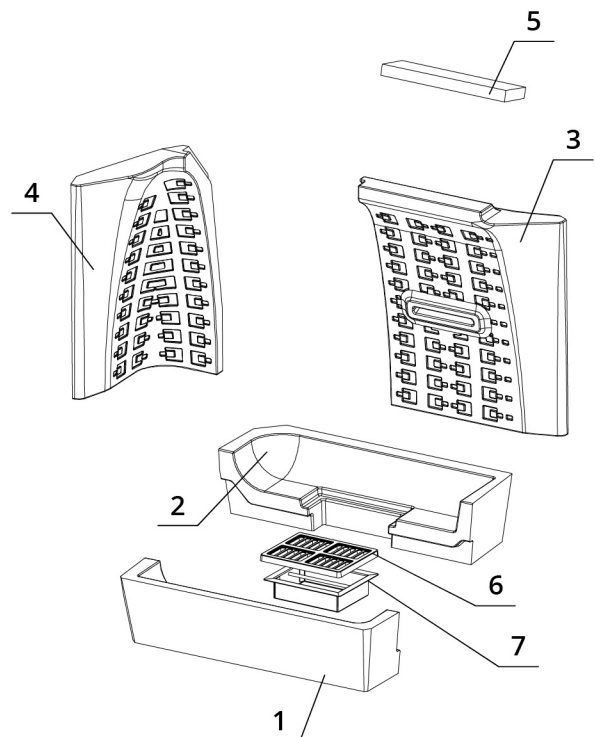
Glass



600 x 340 x 468 mm

Carcon stones

1. Front bottom
2. Back bottom
3. Back
4. Side
5. Deflector
6. Cast iron grid
7. Ash tray



BEF FEEL V 7 CP

BlmSchV
Stufe 2

15a
B - VG

ČSN EN
13229

